



UPC: 019813833859

Color: White

Weight: 0.0 lbs

<b>Project:</b>	<b>Type:</b>
<b>Prepared By:</b>	<b>Date:</b>

### Technical Specifications

#### Performance

**Product Type:**

A-line Commercial Bulbs

**Description:**

Ideal replacement for legacy HID or high output incandescent bulbs.

**Wattage Equivalency:**

Equivalent to 60W Incandescent

**Input Wattage:**

8W

**Lumens (Nominal):**

840lm

**Efficacy:**

105lm/W

**L70 Lifespan:**

25,000-Hour LED lifespan based on IES LM-70 results

#### Electrical

**Power Factor:**

>0.7

**Dimmable:**

No

**Dimming Type:**

Not suggested for dimming applications

**Input Voltage:**

120-277V

**Operating Frequency:**

50/60Hz

**Operating Temperature:**

-4°F to 113°F (-20°C to 45°C)

#### LED Characteristics

**Color Temperature:**

4000K

**Color Accuracy (CRI):**

>80 CRI

**R9 Value:**

High color performance with R9 no less than 0

**Color Consistency:**

<7-step MacAdam Ellipse binning to achieve consistent fixture-to-fixture color

#### Construction

**Base Type:**

E26 Edison

**Finish:**

White

**Bulb Shape:**

A19

**Enclosure Material:**

Plastic

**Lens Finish:**

Frosted

#### Compliance

**Listings:**

UL Listed, UL Classified

**Fixture Rating:**

Suitable for use in enclosed fixtures

**Energy Star ID:**

2340611

**Model Number for Certification:**

A10015

**California Energy Commission (CEC) Status:**

Not Lawful for Sales in California

**RoHS:**

Mercury and UV free. RoHS-compliant components.

**Technical Specifications (continued)**

**FCC:**

Complies with Part 15B of the FCC Rules

**Other**

**Warranty:**

RAB warrants that our LED products will be free from defects in materials and workmanship for a period of three (3) years from the date of delivery to the end user, including coverage of light output, color stability, driver performance and fixture finish. RAB's warranty is subject to all terms and conditions found at [rablighting.com/warranty](http://rablighting.com/warranty).

**Note:**

All values are typical (tolerance +/- 10%)

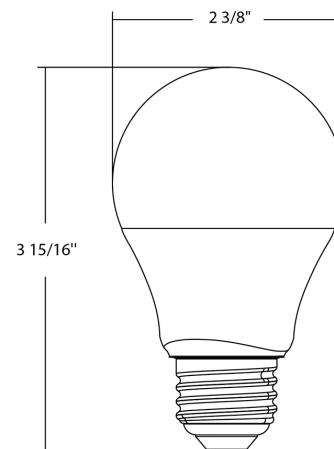
**Buy American Act Compliance:**

RAB values USA manufacturing! Upon request, RAB may be able to manufacture this product to be compliant with the Buy American Act (BAA). Please contact customer service to request a quote for the product to be made BAA compliant.

**Case and Pallet Dimensions**

	QTY	LENGTH (in)	WIDTH (in)	HEIGHT (in)
CASE	12	5.2	4.9	15
PALLET	2880	41.34	47.24	45.47

**Dimension**



## Features

- Energy efficient replacement for incandescent and halogen lamps
- Constructed from durable plastic which lowers risk of breakage
- Rated for use in enclosed and open fixtures in dry or damp locations
- Frosted lens produces smooth diffuse light
- Longer lifespan compared to legacy equivalents minimizes replacement and maintenance costs
- ENERGY STAR Compliant
- 120V-277V Universal Voltage

## Ordering Matrix

Family	Lamp Power	Base Type	CRI/Color Temp	Dimmable	Voltage
A19	8.5	E26	840	ND	120_277V
	8.5 = 8.5W	E26 = E26	850 = 80 CRI, 5000K 840 = 80 CRI, 4000K 830 = 80 CRI, 3000K 827 = 80 CRI, 2700K	ND = Non-Dimmable	120_277V = 120-277V